

57 TRAILER PARKING STALLS

98 Vehicle Spaces

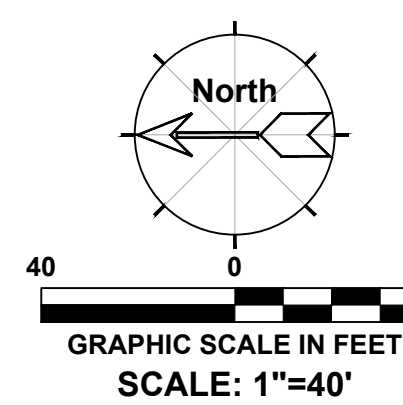
20 Dock Doors

Mid-South Logistics Center
Appleton-EGS
251,910 SF
44 Dock Doors (Expandable)

24 Dock Doors

65 TRAILER PARKING STALLS

CONCRETE DOLLY PAD



SEAL	PROJECT:	LOT 2 OBP INDUSTRIAL PARK Section 25, Township 1S, Range 6W Olive Branch, DeSoto County, Mississippi	SCALE: 1"=40'
	FOR:	H+M ARCHITECTS / ENGINEERS	DATE: 5/18
	SHEET TITLE:	LANDSCAPE PLANTING PLAN	DRAWN BY: JRS
			CHECKED BY: TRF
		JOB NO.: 18-0085	SHEET NO.: 18-0085
			LA1.1